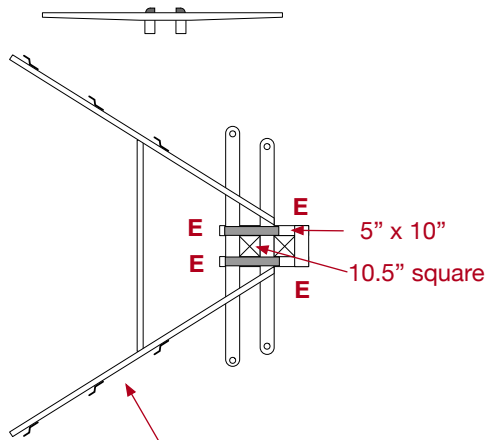
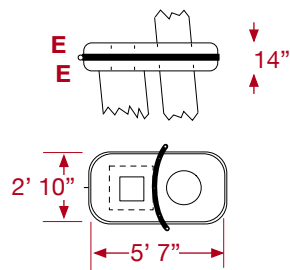
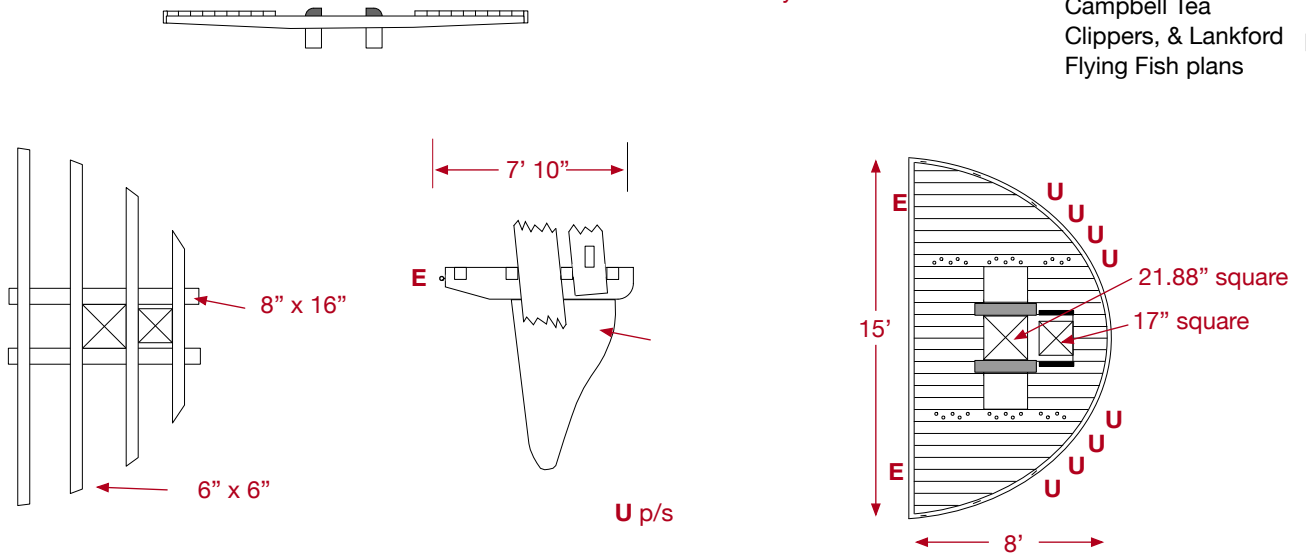


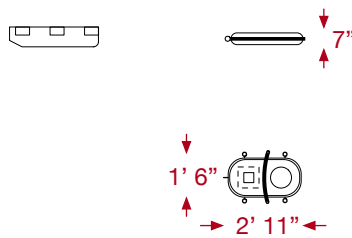
Flying Cloud - Fore Mast Furniture

Details from Murphy, Crothers & Underhill Masting books, Campbell Tea Clippers, & Lankford Flying Fish plans

E = eye
U = eye under



actual angle and length determined after standing rigging installed



scale 1:96

10" at 1:96

2018-07-09

© Scott Bradner - 2018