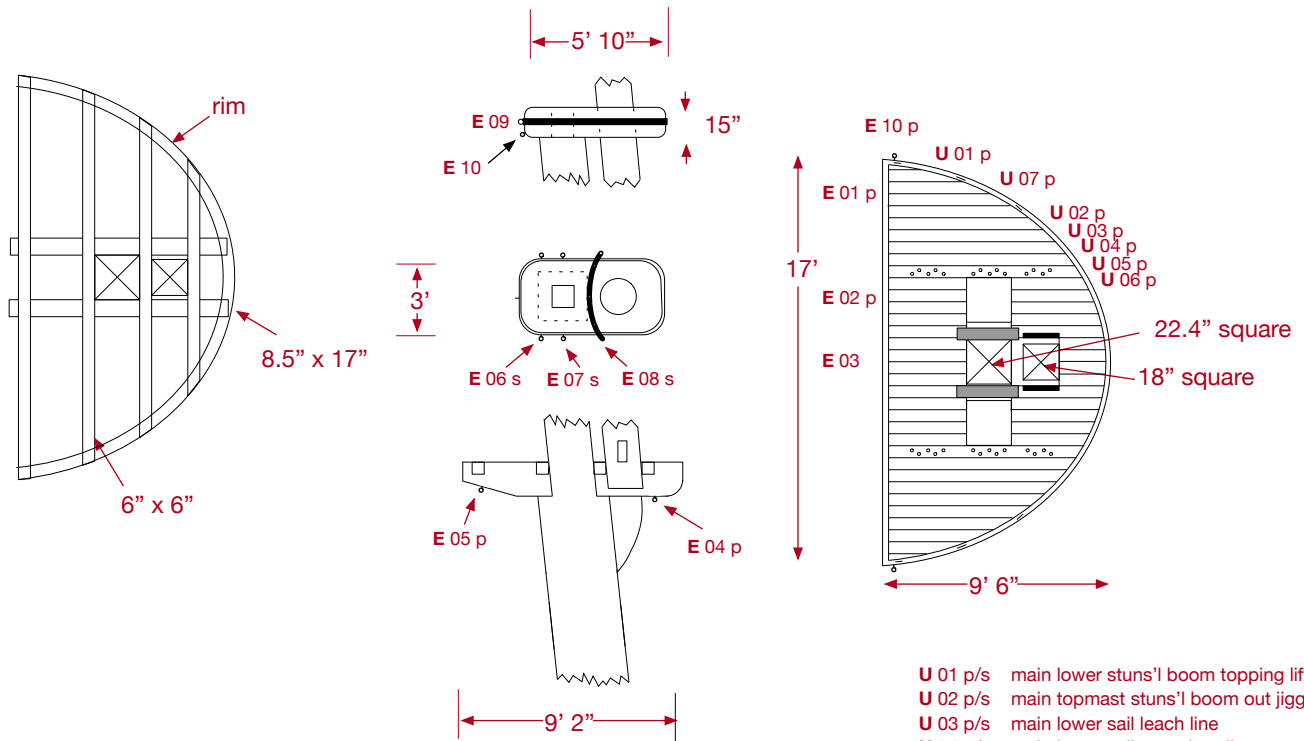


Flying Cloud - Main Mast Furniture

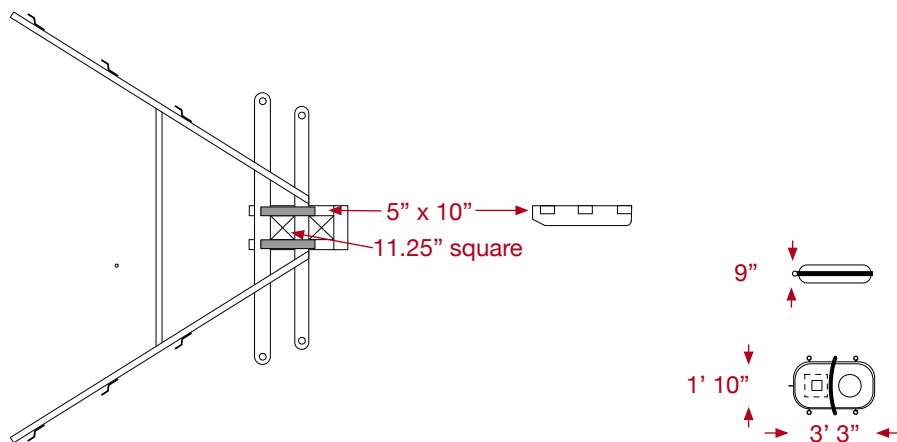
Dimensions from McLean launching article, details from Murphy, Crothers & Underhill Masting books and Lankford Flying Fish plans

E = eye
U = eye under



- U 01 p/s main lower stuns'l boom topping lift
- U 02 p/s main topmast stuns'l boom out jigger
- U 03 p/s main lower sail leach line
- U 04 p/s main lower sail outer buntline
- U 05 p/s main lower sail middle buntline
- U 06 p/s main lower sail inner buntline
- U 07 p/s main lower stuns'l inner hallard

- E 01 p/s mizzen topsail bowline
- E 02 p/s mizzen topsail brace
- E 03 main Spenser lift
- E 04 p/s fore lower yard brace
- E 05 p/s skipjack brace
- E 06 p/s mizzen topsail brace
- E 07 p/s main topsail sheet
- E 08 p/s main lower yard running lift
- E 09 mizzen topgallant stay
- E 10 mizzen staysail downhaul
- E 11 p/s main topgallant stuns'l tack



scale 1:96

10" at 1:96

2018-07-09