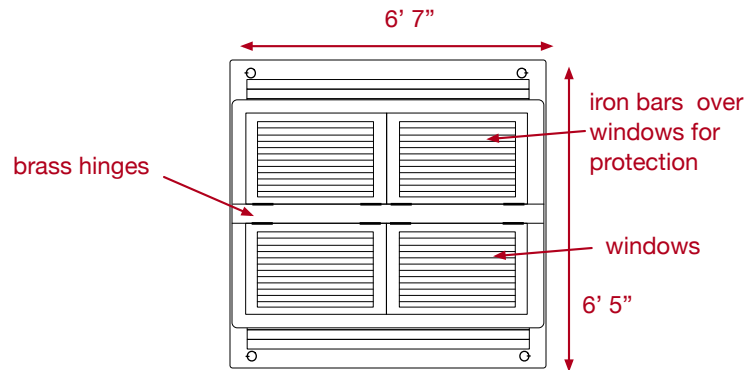


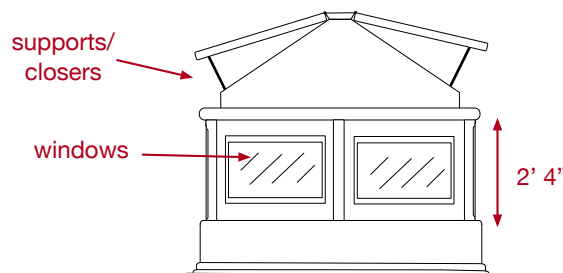
This design based on the 1916 Boucher model of the *Flying Cloud* in the Boston Museum of Fine Arts.

The *Flying Cloud* had one skylight on the poop deck between the poop companionway and the mizzen mast. The skylight windows could be propped open to provide ventilation for the cabins below.

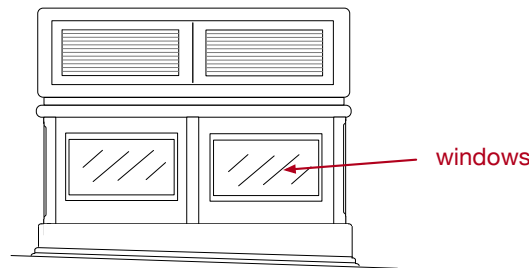
frames around skylights - oak
 top plate for skylight - oak
 window frames - mahogany
 roof boards - sky blue
 rest of structure - white



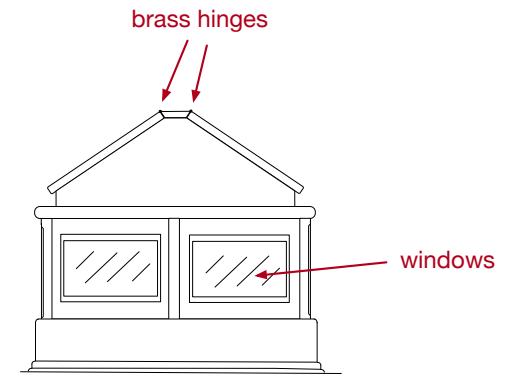
view from top



from aft



from starboard



from front

FLYING CLOUD - SKYLIGHT