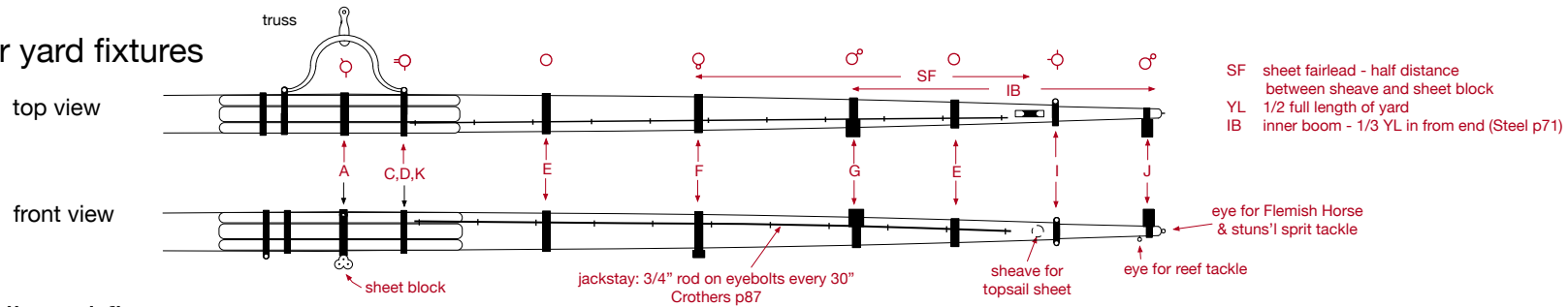


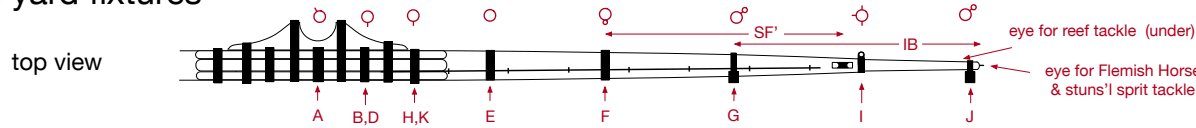
Flying Cloud: yard fixtures & proportions

fore & main yards
mizzen yards same except no boom irons and the brace rings face forward

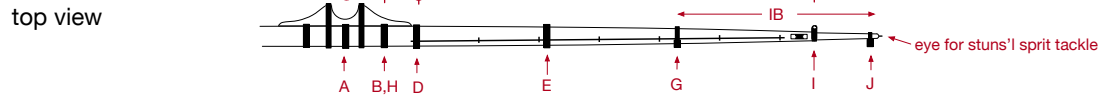
lower yard fixtures



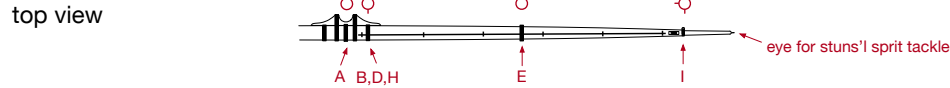
topsail yard fixtures



topgallant yard fixtures



royal yard fixtures



skysail yard fixtures

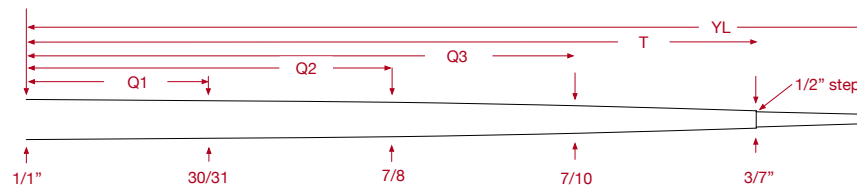


- yard bands
- A - sling/tye
 - B - sheet
 - C - truss
 - D - clue line
 - E - plain band
 - F - sheet fairlead
 - G - inner boom
 - H - stuns'l halyard
 - I - lift, brace & foot rope
 - J - outer boom
 - K - reef tackle

- band type
- forward
- ⊙ 4-way rings
 - ⊙ up, down, & aft rings
 - ⊙ up, down, & fore rings
 - ⊙ up, fore & aft rings
 - ⊙ down, fore & aft rings
 - ⊙ fore & aft rings
 - ⊙ up & down rings
 - ⊙ up & fore rings
 - ⊙ up & aft rings
 - ⊙ up ring
 - ⊙ down ring
 - ⊙ truss ring
 - ⊙ trus + down ring
 - ⊙ tye ring
 - ⊙ fairlead ring
 - ⊙ inner boom ring
 - ⊙ plain ring

yard proportions

e.g., Crothers p83



- YL Yard Length / 2
- T Taper length - YL minus end length
- Q1 1st quarter - T/4
- Q2 2nd quarter - T/2
- Q3 3rd quarter - T *.75

yard dimensions from McLean launching story